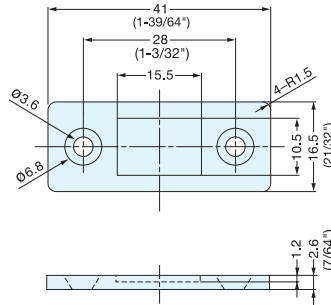
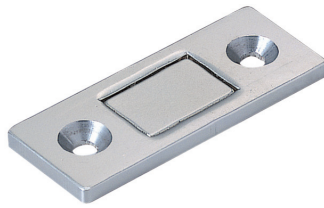


ULTRA THIN & STRONG MAGNETIC CATCH

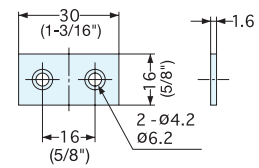


MC-159



- Unique ultra thin magnetic catch design with extra strong magnetic force.
- Note: 1) Max. temperature: 80°C (176°F)
- 2) To avoid breakage, counterplate should not hit magnet.
- 3) Screw heads should not protrude above the base plate.

Counter plate-Optional



Item No.	Material	Finish
MC-159-Plate	Steel	Nickel

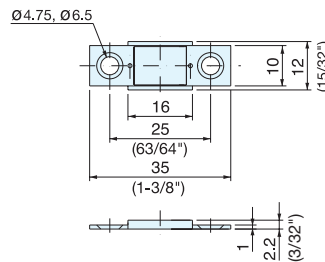
Item No.	Magnetic Force (kg)	Weight (g)	Box (pcs)	Carton (pcs)
MC-159	4 (8.8 lbs)	12	200	1000

Part Name	Material	Finish
Magnet	Neodymium	Nickel
Base/Yoke	Steel	

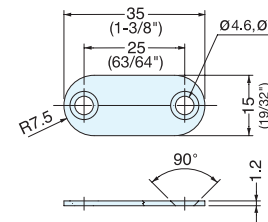
ULTRA THIN MAGNETIC CATCH



MC-YN001P



- Unique ultra thin magnetic catch design ideal for tight spaces.
- Counter plate included.
- Strong magnetic force.
- Note: 1) Max. temperature: 80°C (176°F)
- 2) To avoid breakage, counterplate should not hit magnet.
- 3) Screw heads should not protrude above the base plate.



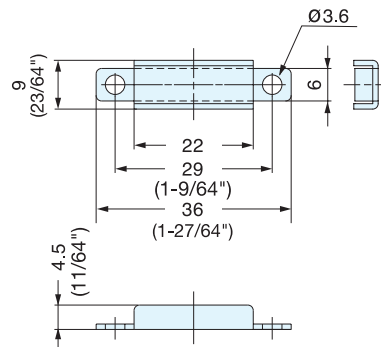
Item No.	Magnetic Force (kg)	Weight (g)	Box (pcs)	Carton (pcs)
MC-YN001P	2.7 (5.9 lbs)	7.5	100	1000

Part Name	Material	Finish
Magnet	Neodymium	Nickel
Base/Yoke	Steel	

THIN MAGNETIC CATCH



MC-YN003



- Thin magnetic catch ideal for tight spaces.

Item No.	Magnetic Force (kg)	Weight (g)	Box (pcs)	Carton (pcs)
MC-YN003	1.7 (3.7 lbs)	5	500	2500

Part Name	Material	Finish
Magnet	Ferrite	-
Base/Yoke	Steel	Nickel