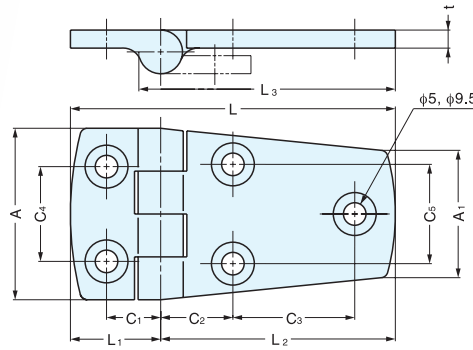


BUTT HINGE



27800, 27900



- 316 Stainless Steel construction ideal for exposed application.
- Door weight: Max. 4kg/pair (8.8lbs/pair)

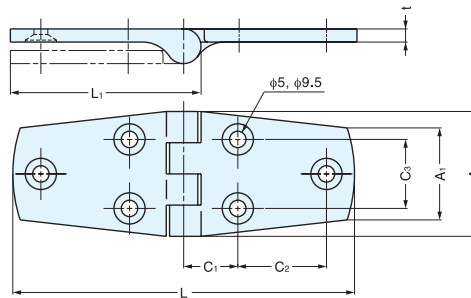
Material	Finish
316 Stainless Steel	Polished

Item No.	L	L ₁	L ₂	L ₃	C ₁	C ₂	C ₃	C ₄	C ₅	A	A ₁	t	Weight (g)	Box (pcs)	Carton (pcs)
27900	58	20	38	42	12	13.5	16.5	21	20	38	28	4	70	20	100
27800	72		52	57		16	27	22	21				85		

BUTT HINGE



28000, 28500



- 316 Stainless Steel construction ideal for exposed application.
- Door weight: Max. 4kg/pair (8.8lbs/pair)

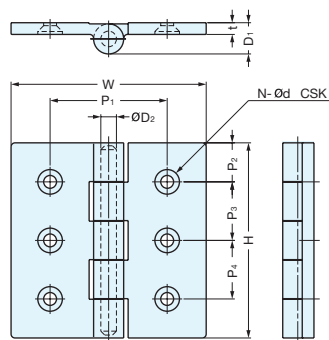
Material	Finish
316 Stainless Steel	Polished

Item No.	L	L ₁	C ₁	C ₂	C ₃	A	A ₁	t	Weight (g)	Box (pcs)	Carton (pcs)
28500	74	42	13	17	20	38	28	4	85	20	100
28000	104	57	16.5	27	21				115		

BUTT HINGE



LSF



- 316 Stainless Steel construction ideal for exposed application.

Material	Finish
316 Stainless Steel	Polished

Item No.	H	W	P ₁	P ₂	P ₃	P ₄	t	D ₁	φD ₂	Knuckles	N	d	Weight (g)	Box (pcs)	Carton (pcs)
LSF-50	50	50	35	15	20	-	5	14	6	3	4	φ4.4, φ8.6	110	20	100
LSF-65	65	65	40		35	-						φ5.6, φ10.6			
LSF-75	75	75	50	17.5	40	-	6	16	8	5	6	φ6.6, φ12.6	305	10	50
LSF-100	100	100	60	20	30	30									