

# STAINLESS STEEL TORQUE HINGE



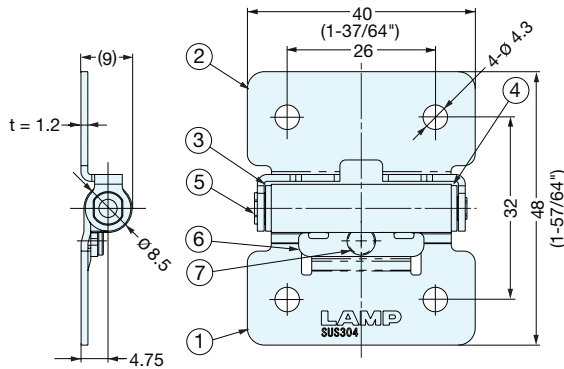
## HG-TS

HINGES

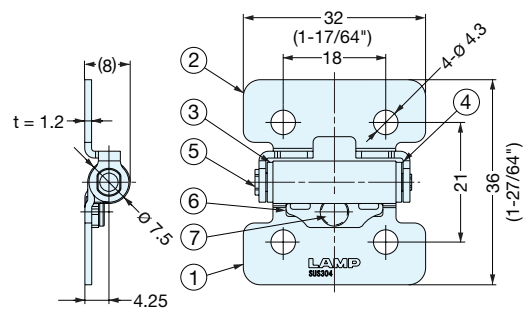
STAINLESS STEEL TORQUE HINGES



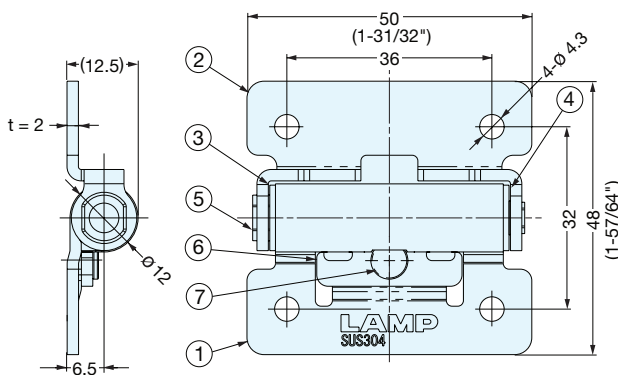
- Hinge with friction torque holds lid/door in desired position.
- Stainless steel material ideal for harsh environments.
- Best durability on continuous open/close cycle.
- Free stop between 0 – 180 degrees.
- RoHS Compliant.



HG-TS07



HG-TS03



HG-TS15

Item No.	Torque per piece
HG-TS03	3.1 lbs/in (+40%, -20%)
HG-TS07	6.2 lbs/in (+40%, -20%)
HG-TS15	13.3 lbs/in (+40%, -20%)

No.	Part Name	Material	Finish
①	Body	304 Stainless Steel	Polished
②	Base		
③	Fixing Tube	Polyacetal	Black
④	Fixing Tube		
⑤	Shaft	303 Stainless Steel	-
⑥	Press Washer	304 Stainless Steel	Polished
⑦	Pin		-